

Powering Intel® eASIC™ Devices

with Intel Enpirion® Power Solutions

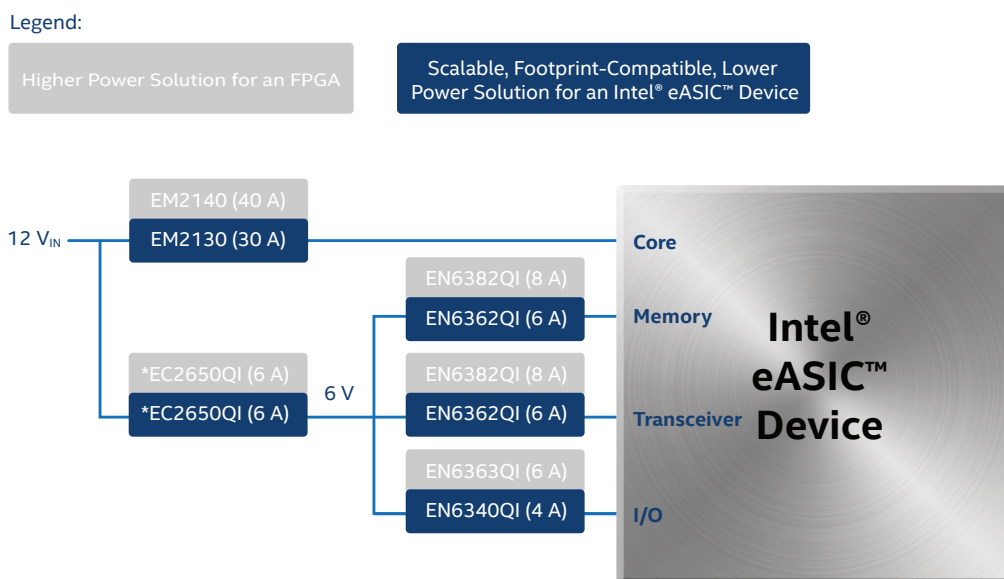


Save Power and Reduce Cost without Changing Your Board

Maximize your transition from an FPGA to an Intel® eASIC™ device with Intel Enpirion® Power Solutions that, when used together, can enable you to:

- Meet the lower power ASIC requirements with scalable power solutions
- Save time and resources with footprint-compatible solutions – no need for a board spin
- Reduce total cost of ownership with lower power solutions

Power Tree Example for Transitioning from an FPGA to an Intel eASIC Device



Note: You can parallel up to four EC2650QI devices as needed

Recommended Intel Enpirion Power Solutions for Intel eASIC Devices

POWER RAIL CURRENT REQUIREMENT	RECOMMENDED POWER SOLUTIONS	SCALABLE, FOOTPRINT-COMPATIBLE OPTIONS
≤1.5 A	EN5319QI EZ6301QI	EN5329QI (2 A), EN5339QI (3 A) EZ6303QI (2.2 A)
≤2.0 A	EN5329QI	EN5319QI (1.5 A), EN5339QI (3 A)
≤3.0 A	EN5339QI EN6337QI EZ6303QI EN6338QI	EN5319QI (1.5 A), EN5329QI (2 A) EN6347QI (4 A) EZ6301QI (1.5 A) N/A
≤4.0 A	EN6340QI EN6347QI	EN6363QI (6 A) EN6337QI (3 A)
≤6.0 A	EN6362QI EN6363QI	EN6382QI (8 A) EN6340QI (4 A)
≤8.0 A	EN6382QI	EN6362QI (6 A)
≤10.0 A	EN29A0QI	N/A
≤12.0 A	EC2650QI EN63A0QI	EC2650QI (can parallel up to 4) N/A
≤20.0 A	EM2120xQI	EM2130xQI (30 A), EM2140xQI (40 A)
≤30.0 A	EM2130xQI EM2030xQI	EM2120xQI (20 A), EM2140xQI (40 A) EM2040xQI (40 A)
≤40.0 A	EM2140xQI EM2040xQI	EM2120xQI (20 A), EM2130xQI (30 A) EM2030xQI (30 A)
≤60.0 A	EM2260xQI	EM2280xQI (80 A)
≤80.0 A	EM2280xQI	EM2260xQI (60 A)

Related Links

- Intel Enpirion Power Solutions
www.intel.com/enpirion
- Intel eASIC
www.easic.com
- Intel Enpirion Resource Center
www.intel.com/content/www/us/en/programmable/products/power/resource-center

